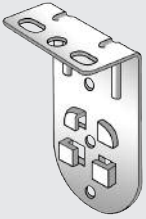


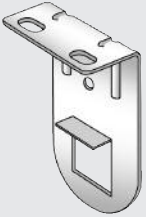
roller blinds

fittings

1 Brackets: 2

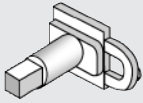


Idle End Pin Bracket



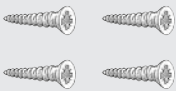
Chain End Bracket

2 Plastic Inserts: 1

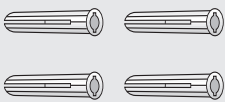
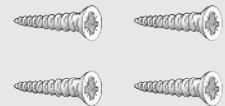


Idle End Pin

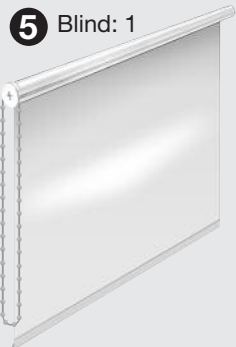
3 Wood Screws: 4



4 Screws: 4 Rawl Plugs: 4



5 Blind: 1



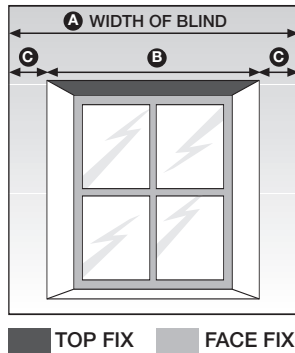
fitting instructions

Outside Recess

If fitting the blind outside the window, measurements (C) will need to be the same. To work out (C), simply minus (B) from (A) and divide the answer by two. Follow instructions for FACE FIXING

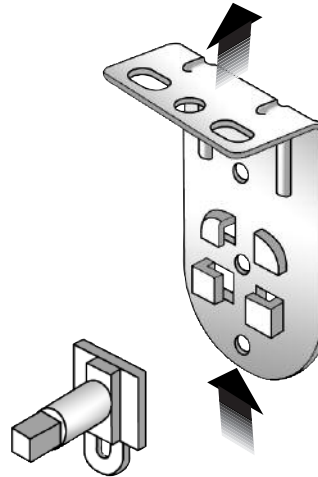
Inside recess

Decide whether to FACE or TOP FIX. FACE FIX to fit the bracket to the window frame. TOP FIX to the lintel if the window frame is upvc, or if there are any obstructions, e.g. window handles.



step one

Slide idle end pin upwards between the teeth of the bracket until it clicks into place.

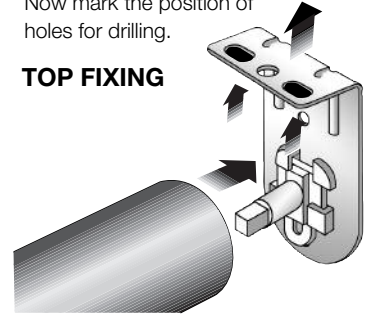


step two

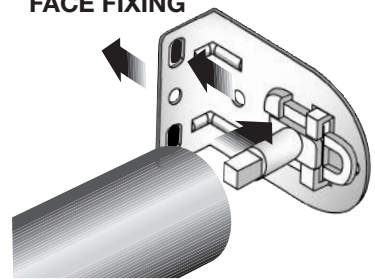
Press brackets into the corresponding ends of the blind, offer the blind into the fixing position.

Now mark the position of holes for drilling.

TOP FIXING



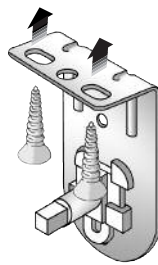
FACE FIXING



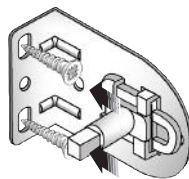
step three

Drill the two holes per bracket where marked and screw brackets into position.

TOP FIXING



FACE FIXING

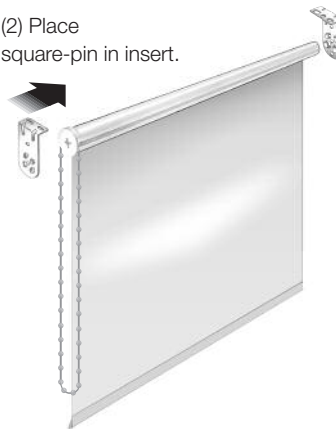


step four

Remove the plastic end pin from the bracket and place it in the end of blind. Then insert into the bracket. (1)

(1) Slide idle end pin into bracket.

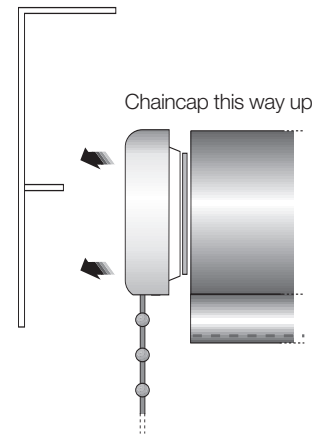
(2) Place square-pin in insert.



step five

Holding the fully-wound blind, position chain cap as shown and press into the corresponding bracket. (2)

Gently pull the chain to raise and lower the blind.



step six

WARNING

IN THE INTEREST OF SAFETY, IT IS ADVISABLE TO KEEP ALL PULL CORDS AND CHAIN/BEAD CORDS OUT OF THE REACH OF CHILDREN.